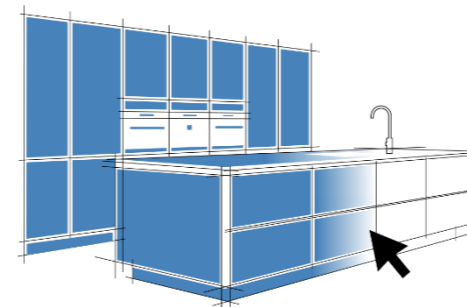


# KITCHEN DESIGN PACK

CUSTOMER NAME

Sample Pack 1



DESIGN A  
KITCHEN  
— WE DESIGN. YOU SAVE —

# KITCHEN CAD VISUAL - BIRDSEYE



| Customer Name | Design Revision No | Design Revision Date | DESIGN A KITCHEN (UK) LIMITED  |
|---------------|--------------------|----------------------|--|
| Sample Pack 1 | 1                  |                      | Tel No<br>Email <a href="mailto:enquiries@designakitchen.co.uk">enquiries@designakitchen.co.uk</a><br>Web <a href="http://www.designakitchen.co.uk">www.designakitchen.co.uk</a> |

**PLEASE NOTE: All dimensions are for guidance only. A thorough site survey should be conducted by the kitchen retailer and/or installer before any cabinets, accessories, appliances and worksurfaces are purchased to validate all dimensions and check technical suitability of all products.**

# KITCHEN CAD VISUAL 1



| Customer Name | Design Revision No | Design Revision Date | DESIGN A KITCHEN (UK) LIMITED  |
|---------------|--------------------|----------------------|--|
| Sample Pack 1 | 1                  |                      | Tel No<br>Email enquiries@designakitchen.co.uk<br>Web www.designakitchen.co.uk |

**PLEASE NOTE: All dimensions are for guidance only. A thorough site survey should be conducted by the kitchen retailer and/or installer before any cabinets, accessories, appliances and worksurfaces are purchased to validate all dimensions and check technical suitability of all products.**

# KITCHEN CAD VISUAL 2



| Customer Name | Design Revision No | Design Revision Date | DESIGN A KITCHEN (UK) LIMITED  |
|---------------|--------------------|----------------------|--|
| Sample Pack 1 | 1                  |                      | Tel No<br>Email <a href="mailto:enquiries@designakitchen.co.uk">enquiries@designakitchen.co.uk</a><br>Web <a href="http://www.designakitchen.co.uk">www.designakitchen.co.uk</a> |

**PLEASE NOTE: All dimensions are for guidance only. A thorough site survey should be conducted by the kitchen retailer and/or installer before any cabinets, accessories, appliances and worksurfaces are purchased to validate all dimensions and check technical suitability of all products.**

# KITCHEN CAD VISUAL 3



|               |                    |                      |  |
|---------------|--------------------|----------------------|--|
| Customer Name | Design Revision No | Design Revision Date | DESIGN A KITCHEN (UK) LIMITED  |
| Sample Pack 1 | 1                  |                      | Tel No<br>Email enquiries@designakitchen.co.uk<br>Web www.designakitchen.co.uk |

PLEASE NOTE: All dimensions are for guidance only. A thorough site survey should be conducted by the kitchen retailer and/or installer before any cabinets, accessories, appliances and worksurfaces are purchased to validate all dimensions and check technical suitability of all products.

# KITCHEN CAD VISUAL 4



| Customer Name | Design Revision No | Design Revision Date | DESIGN A KITCHEN (UK) LIMITED  |
|---------------|--------------------|----------------------|--|
| Sample Pack 1 | 1                  |                      | Tel No<br>Email enquiries@designakitchen.co.uk<br>Web www.designakitchen.co.uk |

**PLEASE NOTE: All dimensions are for guidance only. A thorough site survey should be conducted by the kitchen retailer and/or installer before any cabinets, accessories, appliances and worksurfaces are purchased to validate all dimensions and check technical suitability of all products.**

# KITCHEN CAD VISUAL 5



|               |                    |                      |  |
|---------------|--------------------|----------------------|--|
| Customer Name | Design Revision No | Design Revision Date | DESIGN A KITCHEN (UK) LIMITED  |
| Sample Pack 1 | 1                  |                      | Tel No<br>Email enquiries@designakitchen.co.uk<br>Web www.designakitchen.co.uk |

**PLEASE NOTE: All dimensions are for guidance only. A thorough site survey should be conducted by the kitchen retailer and/or installer before any cabinets, accessories, appliances and worksurfaces are purchased to validate all dimensions and check technical suitability of all products.**

# KITCHEN CAD VISUAL 6

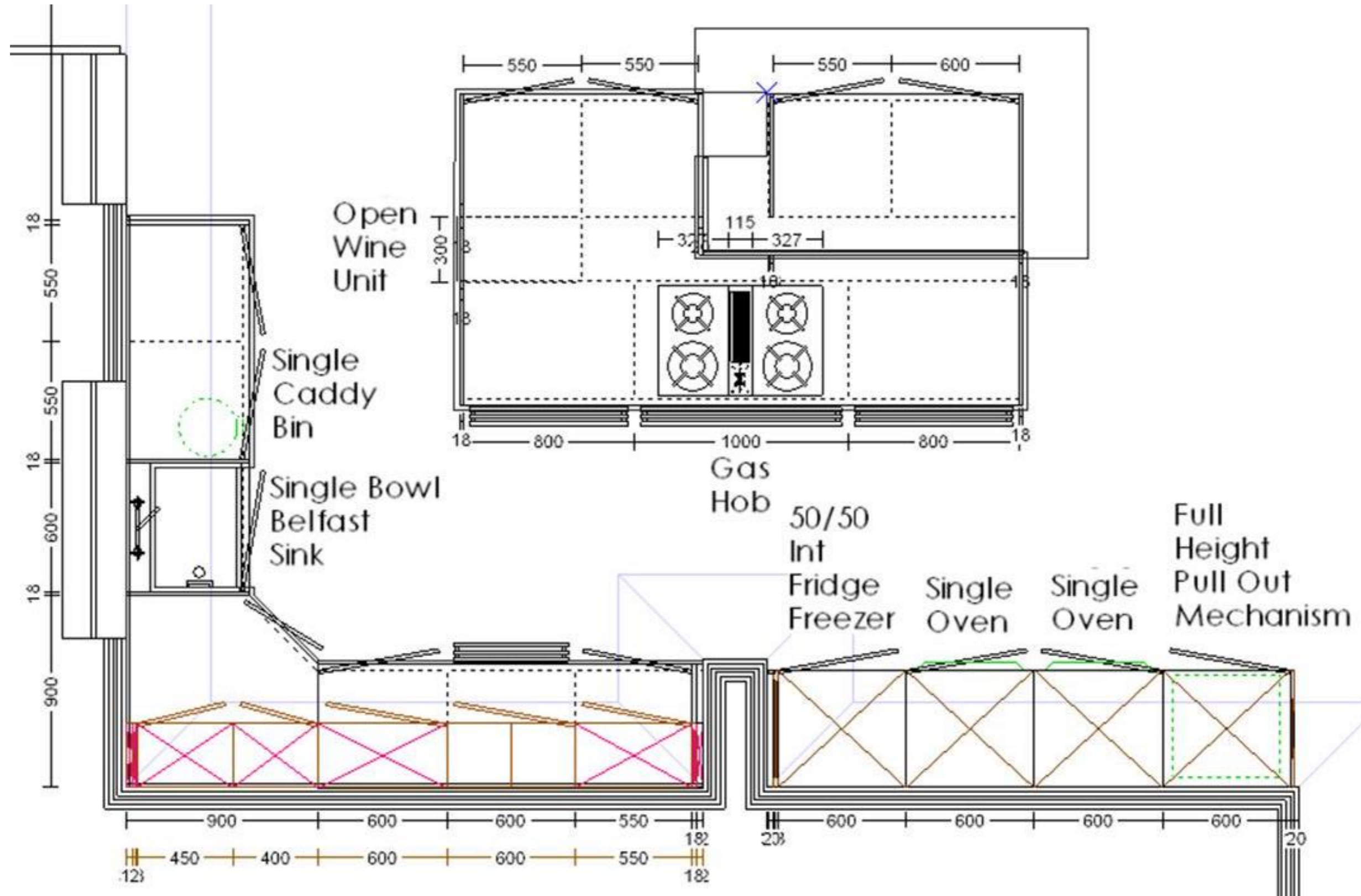


|               |                    |                      |  |
|---------------|--------------------|----------------------|--|
| Customer Name | Design Revision No | Design Revision Date | DESIGN A KITCHEN (UK) LIMITED  |
| Sample Pack 1 | 1                  |                      | Tel No<br>Email enquiries@designakitchen.co.uk<br>Web www.designakitchen.co.uk |

**PLEASE NOTE: All dimensions are for guidance only. A thorough site survey should be conducted by the kitchen retailer and/or installer before any cabinets, accessories, appliances and worksurfaces are purchased to validate all dimensions and check technical suitability of all products.**



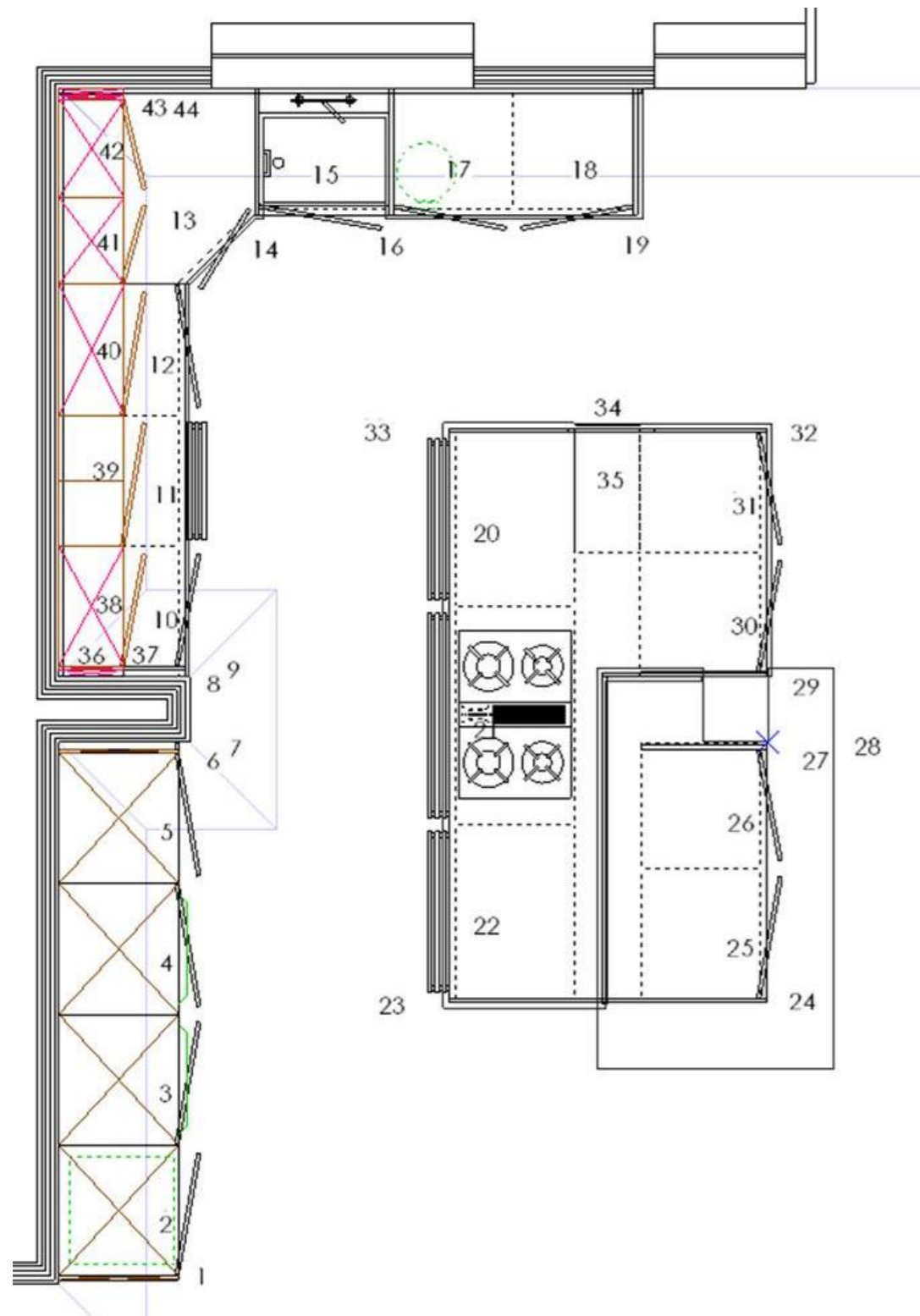
# KITCHEN ANNOTATED WIREFRAME PLAN



|               |                    |                      |  |
|---------------|--------------------|----------------------|--|
| Customer Name | Design Revision No | Design Revision Date | DESIGN A KITCHEN (UK) LIMITED  |
| Sample Pack 1 | 1                  |                      | Tel No<br>Email enquiries@designakitchen.co.uk<br>Web www.designakitchen.co.uk |

PLEASE NOTE: All dimensions are for guidance only. A thorough site survey should be conducted by the kitchen retailer and/or installer before any cabinets, accessories, appliances and worksurfaces are purchased to validate all dimensions and check technical suitability of all products.

# KITCHEN PART LIST WIREFRAME PLAN



## Base & Tall Units

1. 18mm Tall End Support (Door Colour), Depth = 580mm, Height = 2300mm
2. 600mm Larder, Depth = 580mm, Height = 2300mm  
1 X 975mm by 596mm Base Unit Door (Left Hand Hinged)  
1 X 1165mm by 596mm Wall Unit Door (Left Hand Hinged)
3. 600mm Tall Oven Housing, Depth = 580mm, Height = 2300mm  
1 X 979mm by 596mm Wall Unit Door (Left Hand Hinged)  
2 X 278mm by 596mm Pan Drawer
4. 600mm Tall Oven Housing, Depth = 580mm, Height = 2300mm  
1 X 979mm by 596mm Wall Unit Door (Right Hand Hinged)  
2 X 278mm by 596mm Pan Drawer
5. 600mm Larder, Depth = 580mm, Height = 2300mm  
1 X 975mm by 596mm Base Unit Door (Right Hand Hinged)  
1 X 1165mm by 596mm Wall Unit Door (Right Hand Hinged)
6. 18mm Tall End Support (Door Colour), Depth = 580mm, Height = 2300mm
7. 30mm Tall Filler, Depth = 580mm, Height = 2300mm
8. 32mm Filler, Depth = 580mm, Height = 870mm
9. 18mm End Support Panel (Door Colour), Depth = 580mm, Height = 870mm
10. 550mm Base Unit (Full Height Door), Depth = 580mm, Height = 870mm  
1 X 715mm by 546mm Base Unit Door (Left Hand Hinged)
11. 600mm 3 Drawer Pack with User options, Depth = 580mm, Height = 870mm  
1 X 140mm by 596mm Base Unit Drawer  
2 X 285mm by 596mm Pan Drawer
12. 600mm Base Unit (Full Height Door), Depth = 580mm, Height = 870mm  
1 X 715mm by 596mm Base Unit Door (Right Hand Hinged)
13. 900mm Diagonal Corner Base (Full Height Door), Depth = 580mm, Height = 870mm  
1 X 715mm by 449mm Base Unit Door (Right Hand Hinged)
14. 18mm End Support Panel (Door Colour), Depth = 580mm, Height = 870mm
15. 600mm Belfast Sink (Full Height Door), Depth = 580mm, Height = 870mm  
1 X 461mm by 596mm Base Unit Door (Left Hand Hinged)
16. 18mm End Support Panel (Door Colour), Depth = 580mm, Height = 870mm
17. 550mm Base Unit (Full Height Door), Depth = 580mm, Height = 870mm  
1 X 715mm by 546mm Base Unit Door (Left Hand Hinged)
18. 550mm Base Unit (Full Height Door), Depth = 580mm, Height = 870mm  
1 X 715mm by 546mm Base Unit Door (Right Hand Hinged)
19. 18mm End Support Panel (Door Colour), Depth = 580mm, Height = 870mm
20. 800mm 3 Drawer Pack with User options, Depth = 580mm, Height = 870mm  
1 X 140mm by 796mm Base Unit Drawer

|               |                    |                      |  |
|---------------|--------------------|----------------------|--|
| Customer Name | Design Revision No | Design Revision Date | DESIGN A KITCHEN (UK) LIMITED  |
| Sample Pack 1 | 1                  |                      | Tel No<br>Email enquiries@designakitchen.co.uk<br>Web www.designakitchen.co.uk |

**PLEASE NOTE: All dimensions are for guidance only. A thorough site survey should be conducted by the kitchen retailer and/or installer before any cabinets, accessories, appliances and worksurfaces are purchased to validate all dimensions and check technical suitability of all products.**

# KITCHEN PART LIST WIREFRAME PLAN



- 2 X 285mm by 796mm Pan Drawer
- 21. 1000mm 3 Drawer Pack with User options, Depth = 580mm, Height = 870mm
  - 1 X 140mm by 996mm Base Unit Drawer
  - 2 X 285mm by 996mm Pan Drawer
- 22. 800mm 3 Drawer Pack with User options, Depth = 580mm, Height = 870mm
  - 1 X 140mm by 796mm Base Unit Drawer
  - 2 X 285mm by 796mm Pan Drawer
- 23. 18mm End Support Panel (Door Colour), Depth = 720mm, Height = 870mm
- 24. 18mm End Support Panel (Door Colour), Depth = 743mm, Height = 1050mm
- 25. 600mm Base Unit (Full Height Door), Depth = 580mm, Height = 1050mm
  - 1 X 895mm by 596mm Base Unit Door (Left Hand Hinged)
- 26. 550mm Base Unit (Full Height Door), Depth = 580mm, Height = 1050mm
  - 1 X 895mm by 546mm Base Unit Door (Right Hand Hinged)
- 27. 18mm End Support Panel (Door Colour), Depth = 580mm, Height = 1050mm
- 28. 10mm Filler, Depth = 580mm, Height = 1050mm
- 29. 20mm End Support Panel (Door Colour), Depth = 580mm, Height = 870mm
- 30. 550mm Base Unit (Full Height Door), Depth = 580mm, Height = 870mm
  - 1 X 715mm by 546mm Base Unit Door (Left Hand Hinged)
- 31. 550mm Base Unit (Full Height Door), Depth = 580mm, Height = 870mm
  - 1 X 715mm by 546mm Base Unit Door (Right Hand Hinged)
- 32. 18mm End Support Panel (Door Colour), Depth = 580mm, Height = 870mm
- 33. 18mm End Support Panel (Door Colour), Depth = 580mm, Height = 870mm
- 34. 18mm End Support Panel (Door Colour), Depth = 400mm, Height = 150mm
- 35. 300mm Base Wine Rack, Depth = 580mm, Height = 870mm

## Wall Units

- 36. 32mm Filler, Depth = 300mm, Height = 900mm
- 37. 18mm End Support Panel (Door Colour), Depth = 300mm, Height = 900mm
- 38. 550mm Wall Unit, Depth = 300mm, Height = 900mm
  - 1 X 895mm by 546mm Wall Unit Door (Left Hand Hinged)
- 39. 600mm Plate Rack Open Wall Unit, Depth = 300mm, Height = 900mm
  - 1 X 445mm by 596mm Wall Unit Door (Left Hand Hinged) Standard Doors Shaker
  - 1 X 450mm by 600mm Open Framed Unit
- 40. 600mm Wall Unit, Depth = 300mm, Height = 900mm
  - 1 X 895mm by 596mm Wall Unit Door (Left Hand Hinged)
- 41. 400mm Wall Unit, Depth = 300mm, Height = 900mm
  - 1 X 895mm by 396mm Wall Unit Door (Left Hand Hinged)

- 42. 450mm Wall Unit, Depth = 300mm, Height = 900mm
  - 1 X 895mm by 446mm Wall Unit Door (Right Hand Hinged)
- 43. 18mm End Support Panel (Door Colour), Depth = 300mm, Height = 900mm
- 44. 32mm Filler, Depth = 300mm, Height = 900mm

## Accessories

- Plinth (Total Length) = Circa 11600mm
- Cornice (Total Length) = Circa 5800mm
- Pelmet (Total Length) = Circa 2800mm

## Appliances & Mechanisms

- 1 x Single Caddy Integrated Bin
- 1 x Full Height Pull Out Larder Mechanism (To Fit In A 600mm Wide Tall Housing)
- 1 x 50/50 Integrated Tall Fridge Freezer
- 2 x Single Ovens
- 1 x Gas Hob
- 1 x Single Bowl Belfast Sink (To Fit On A 600mm Base Unit)
- 1 x Tap

|               |                    |                      |  |
|---------------|--------------------|----------------------|--|
| Customer Name | Design Revision No | Design Revision Date | DESIGN A KITCHEN (UK) LIMITED  |
| Sample Pack 1 | 1                  |                      | Tel No<br>Email enquiries@designakitchen.co.uk<br>Web www.designakitchen.co.uk |

**PLEASE NOTE: All dimensions are for guidance only. A thorough site survey should be conducted by the kitchen retailer and/or installer before any cabinets, accessories, appliances and worksurfaces are purchased to validate all dimensions and check technical suitability of all products.**

# KITCHEN WORKTOP / WORKSURFACE PLAN

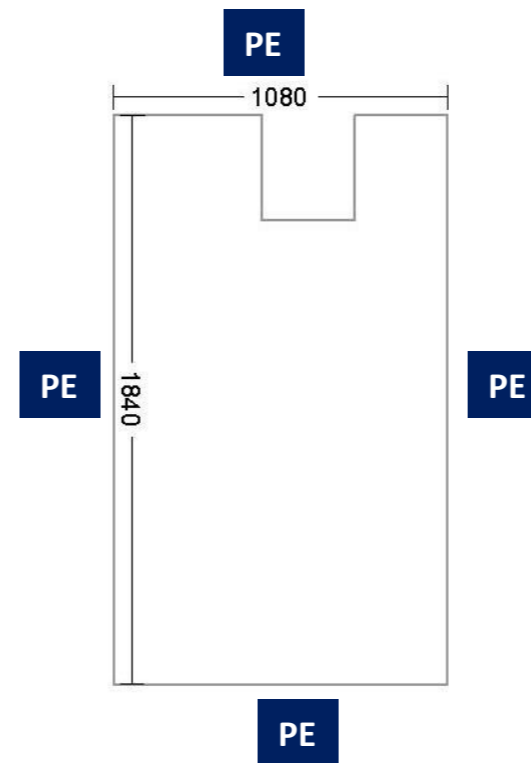
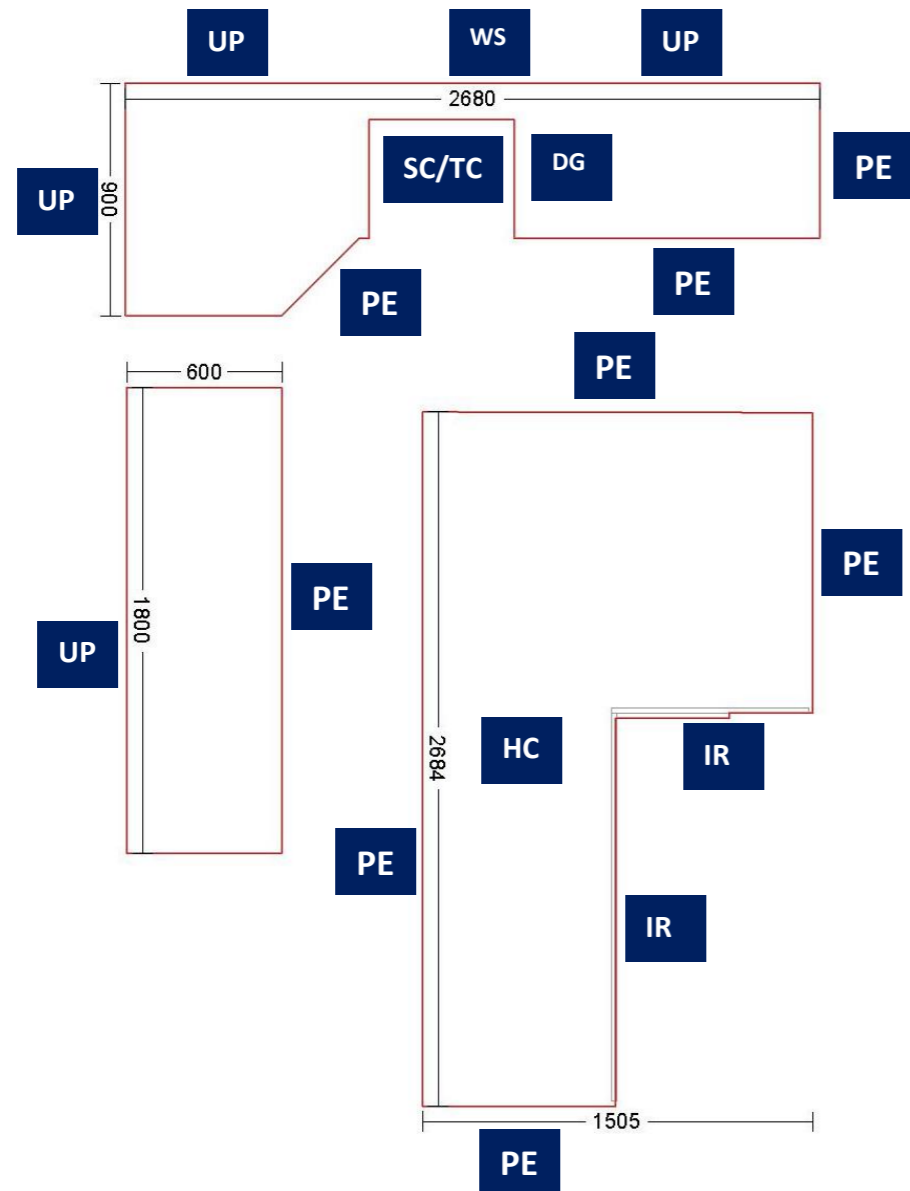


## Worktop 1 Specification

Worktop Materials: Marble Quartz  
 Worktop Thickness: 30mm  
 Worktop Edge: Aris  
 Matching Windowsill: 1200mm x 20mm (Width TBC)  
 Matching Upstand(s): 100mm x 20mm  
 Matching Windowsill Upstand(s): 100mm x 20mm  
 Matching Island Upstand Riser: 150mm x 20mm  
 Matching Splashback(s): n/a  
 Cut-out(s) – 1 x Hob, 1 x Sink & 1 x Tap

## Worktop 2 Specification

Worktop Materials: Solid Oak  
 Worktop Thickness: 40mm  
 Worktop Edge: Square  
 Matching Windowsill: n/a  
 Matching Upstand(s): n/a  
 Matching Windowsill Upstand(s): n/a  
 Matching Island Upstand Riser: n/a  
 Matching Splashback(s): n/a  
 Cut-out(s) – 1 x Column



### Key

- UP – Upstand
- UR – Upstand Riser
- IR – Island Upstand Riser
- WR – Windowsill Upstand Riser
- PE – Profile Edge
- WS – Windowsill
- DG – Drainer Grooves (x5)
- SC – Sink Cut-out
- HC – Hob Cut-out
- TC – Tap Cut-out

**PLEASE NOTE: All dimensions are solely for the purpose of obtaining accurate quotations for your worksurfaces. Products should only be purchased following survey by your retailer/installer, or via templating by a worksurface specialist.**

|               |                    |                      |  |
|---------------|--------------------|----------------------|--|
| Customer Name | Design Revision No | Design Revision Date | DESIGN A KITCHEN (UK) LIMITED  |
| Sample Pack 1 | 1                  |                      | Tel No<br>Email enquiries@designakitchen.co.uk<br>Web www.designakitchen.co.uk |

**PLEASE NOTE: All dimensions are for guidance only. A thorough site survey should be conducted by the kitchen retailer and/or installer before any cabinets, accessories, appliances and worksurfaces are purchased to validate all dimensions and check technical suitability of all products.**

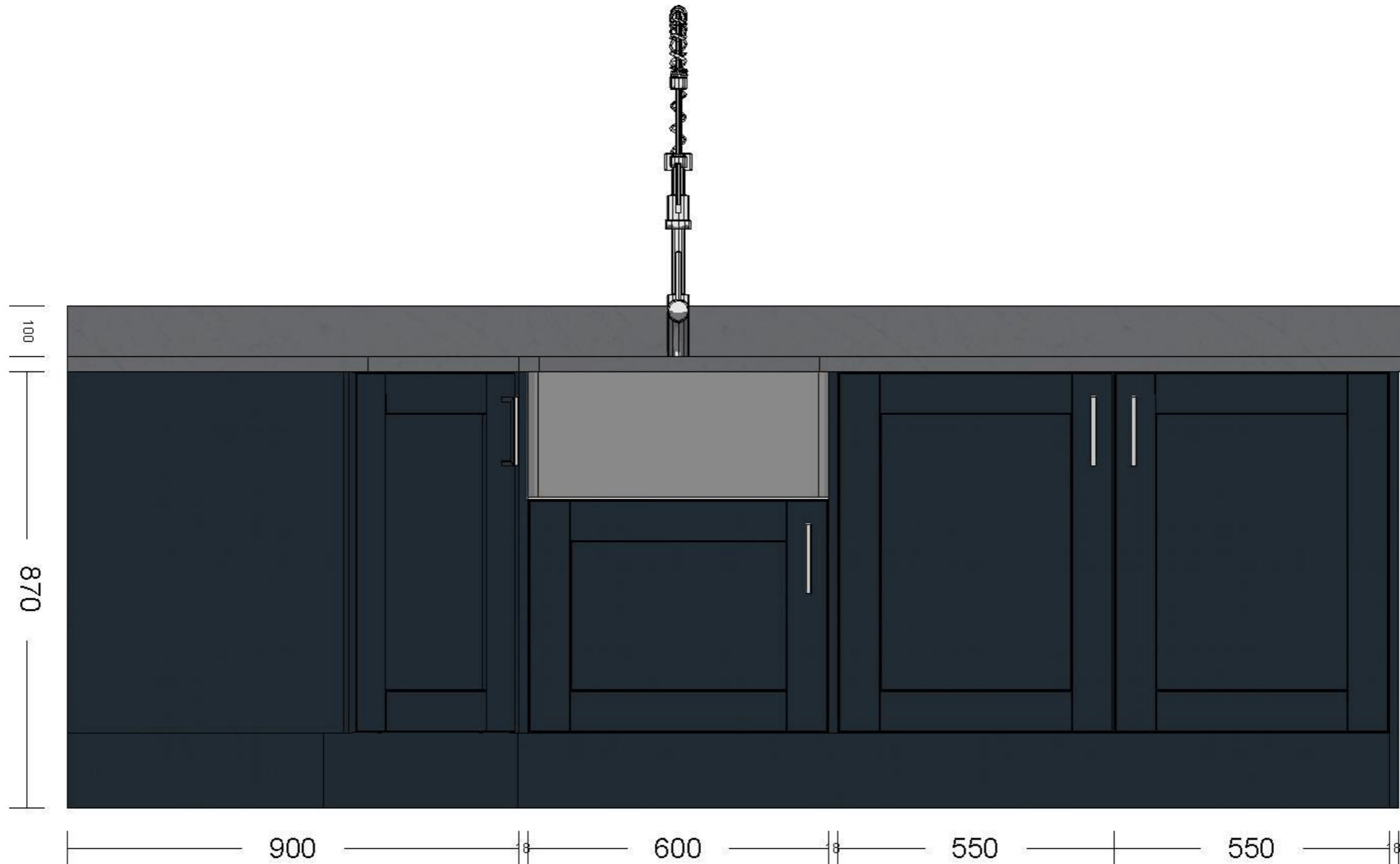
# ELEVATION PLAN - TALL UNIT WALL



|               |                    |                      |  |
|---------------|--------------------|----------------------|--|
| Customer Name | Design Revision No | Design Revision Date | DESIGN A KITCHEN (UK) LIMITED  |
| Sample Pack 1 | 1                  |                      | Tel No<br>Email enquiries@designakitchen.co.uk<br>Web www.designakitchen.co.uk |

**PLEASE NOTE: All dimensions are for guidance only. A thorough site survey should be conducted by the kitchen retailer and/or installer before any cabinets, accessories, appliances and worksurfaces are purchased to validate all dimensions and check technical suitability of all products.**

# ELEVATION PLAN – KITCHEN WINDOW WALL



|               |                    |                      |  |
|---------------|--------------------|----------------------|--|
| Customer Name | Design Revision No | Design Revision Date | DESIGN A KITCHEN (UK) LIMITED  |
| Sample Pack 1 | 1                  |                      | Tel No<br>Email enquiries@designakitchen.co.uk<br>Web www.designakitchen.co.uk |

**PLEASE NOTE: All dimensions are for guidance only. A thorough site survey should be conducted by the kitchen retailer and/or installer before any cabinets, accessories, appliances and worksurfaces are purchased to validate all dimensions and check technical suitability of all products.**

# ELEVATION PLAN – ISLAND HOB SIDE



|               |                    |                      |  |
|---------------|--------------------|----------------------|--|
| Customer Name | Design Revision No | Design Revision Date | DESIGN A KITCHEN (UK) LIMITED  |
| Sample Pack 1 | 1                  |                      | Tel No<br>Email enquiries@designakitchen.co.uk<br>Web www.designakitchen.co.uk |

**PLEASE NOTE: All dimensions are for guidance only. A thorough site survey should be conducted by the kitchen retailer and/or installer before any cabinets, accessories, appliances and worksurfaces are purchased to validate all dimensions and check technical suitability of all products.**

# ELEVATION PLAN – OPEN WINE UNIT SIDE



|               |                    |                      |  |
|---------------|--------------------|----------------------|--|
| Customer Name | Design Revision No | Design Revision Date | DESIGN A KITCHEN (UK) LIMITED  |
| Sample Pack 1 | 1                  |                      | Tel No<br>Email enquiries@designakitchen.co.uk<br>Web www.designakitchen.co.uk |

**PLEASE NOTE: All dimensions are for guidance only. A thorough site survey should be conducted by the kitchen retailer and/or installer before any cabinets, accessories, appliances and worksurfaces are purchased to validate all dimensions and check technical suitability of all products.**



# ELEVATION PLAN – SEATING SIDE 1



|               |                    |                      |  |
|---------------|--------------------|----------------------|--|
| Customer Name | Design Revision No | Design Revision Date | DESIGN A KITCHEN (UK) LIMITED  |
| Sample Pack 1 | 1                  |                      | Tel No<br>Email enquiries@designakitchen.co.uk<br>Web www.designakitchen.co.uk |

PLEASE NOTE: All dimensions are for guidance only. A thorough site survey should be conducted by the kitchen retailer and/or installer before any cabinets, accessories, appliances and worksurfaces are purchased to validate all dimensions and check technical suitability of all products.

# ELEVATION PLAN – SEATING SIDE 2



|               |                    |                      |  |
|---------------|--------------------|----------------------|--|
| Customer Name | Design Revision No | Design Revision Date | DESIGN A KITCHEN (UK) LIMITED  |
| Sample Pack 1 | 1                  |                      | Tel No<br>Email enquiries@designakitchen.co.uk<br>Web www.designakitchen.co.uk |

**PLEASE NOTE: All dimensions are for guidance only. A thorough site survey should be conducted by the kitchen retailer and/or installer before any cabinets, accessories, appliances and worksurfaces are purchased to validate all dimensions and check technical suitability of all products.**